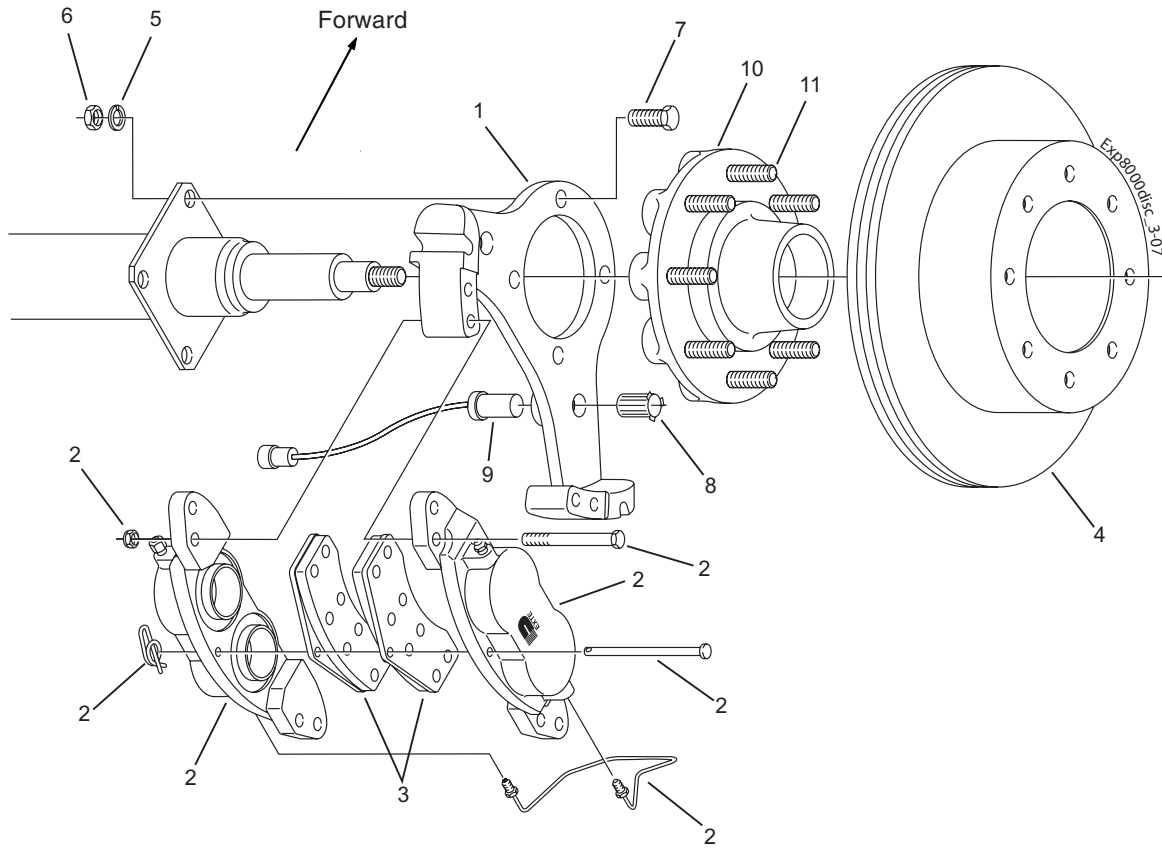


DISC BRAKE FOR 8,000 LB. AXLES



8000 LBS. CAPACITY

DISC BRAKE 8000#

| Item | Part No. | Qty/Brk | Description |
|------|------------|---------|--|
| 1 | 090-003-01 | 1 | Anchor Yoke |
| 2 | K71-630-00 | 1 | Caliper Assembly Kit for LH or RH includes: 2 089-003-02 Assembled Caliper Half 1 054-092-00 Bleeder Screw 1 054-094-00 Adapter Fitting 4 007-254-00 Caliper Mounting Bolt 1 056-038-00 Pad Retaining Pin 4 006-045-00 Caliper Mounting Nut 1 019-019-00 Cotter Ring 1 071-513-00 Cross Over Hydraulic Line (yokes without notch) 1 071-518-00 Cross Over Hydraulic Line (yokes with notch) |
| 3 | K71-629-00 | 1 | Brake Pad Kit (axle set) |
| 4 | K71-631-00 | 1 | Rotor Kit |
| 5 | 005-058-00 | 4 | 1/2" Lock Washer |
| 6 | 006-129-01 | 4 | 1/2" Hex Nut |
| 7 | 007-097-00 | 4 | 1/2" Brake Mounting Bolt |
| 8 | 097-002-00 | 1 | ABS Sensor Retaining Clip |
| 9 | 097-004-00 | 1 | ABS Sensor (straight) |

DISC BRAKE 8000# WITH 50MM NEV-R-LUBE™

| Item | Part No. | Qty/Brk | Description |
|------|------------|---------|--|
| 1 | 090-007-01 | 1 | Anchor Yoke |
| 2 | K71-630-00 | 1 | Caliper Assembly Kit for LH or RH includes: 2 089-003-02 Assembled Caliper Half 1 054-092-00 Bleeder Screw 1 054-094-00 Adapter Fitting 4 007-254-00 Caliper Mounting Bolt 1 056-038-00 Pad Retaining Pin 4 006-045-00 Caliper Mounting Nut 1 019-019-00 Cotter Ring 1 071-513-00 Cross Over Hydraulic Line (yokes without notch) 1 071-518-00 Cross Over Hydraulic Line (yokes with notch) |
| 3 | K71-629-00 | 1 | Brake Pad Kit (axle set) |
| 4 | K71-631-00 | 1 | Rotor Kit |
| 5 | 005-058-00 | 4 | 1/2" Lock Washer |
| 6 | 006-129-01 | 4 | 1/2" Hex Nut |
| 7 | 007-097-00 | 4 | 1/2" Brake Mounting Bolt |
| 8 | 097-002-00 | 1 | ABS Sensor Retaining Clip |
| 9 | 097-004-00 | 1 | ABS Sensor (straight) |

DISC BRAKE HUBS & STUDS

| Item | Part No. | Qty/Brk | Description |
|------|------------|---------|--------------------------------|
| 10 | 008-399-05 | 1 | Grease 9/16" Studs 8 on 6.50 |
| 10 | 008-399-06 | 1 | Oil 9/16" Studs 8 on 6.50 |
| 10 | 008-399-07 | 1 | Grease 5/8" Studs 8 on 6.50 |
| 10 | 008-399-08 | 1 | Oil 5/8" Studs 8 on 6.50 |
| 11 | 007-257-00 | 8 | 9/16"-18 x 2.50" Press-in Stud |
| 11 | 007-115-00 | 8 | 5/8"-18 x 3.16" Press-in Stud |

NEV-R-LUBE™ DISC BRAKE HUBS

| Item | Part No. | Qty/Brk | Description |
|------|------------|---------|--------------------------------|
| 10 | 008-402-80 | 1 | 9/16" Studs, 50mm 8 on 6.50 |
| 10 | 008-402-81 | 1 | 5/8" Studs, 50mm 8 on 6.50 |
| 11 | 007-257-00 | 8 | 9/16"-18 x 2.50" Press-in Stud |
| 11 | 007-115-00 | 8 | 5/8"-18 x 3.16" Press-in Stud |

DEXTER AXLE